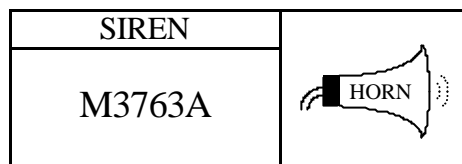




HORN/SIREN
WITH SOFT CHIRP
6 ALARM SOUNDS

警報喇叭專用
附唧聲
6 種警報聲 IC



FEATURES 功能敘述

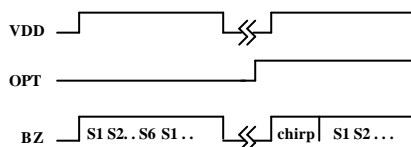
Six different sound.

MODE : continuous.

OPT : OPEN = 6 sound

VDD = 6 sound with soft chirp

Soft chirp =200ms



P/N	REMARK
M3763A -1A	ST18
-1B	
-1C	
M3763A -2A	2860
-2B	
-2C	
M3763A -3A	2860C
-3B	
-3C	

* A : 6 Sounds cascade
B : 4 Sounds cascade
C : 1 sound

APPLICATION 產品應用

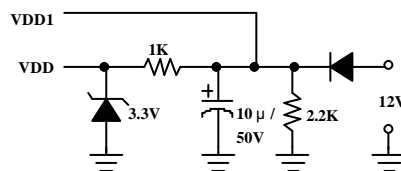
Alarm system, Horn etc..

ELECTRICAL CHARACTERISTICS 電氣規格

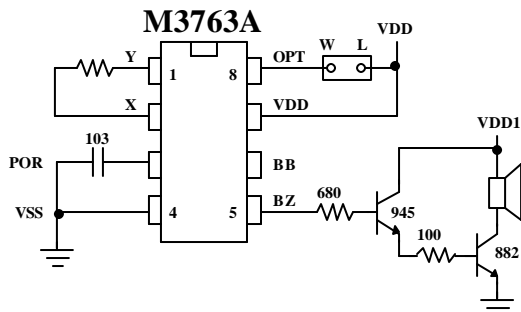
(@ $V_{DD}=3V$ unless otherwise specified)

Characteristics	Sym.	Min.	Typ.	Max.	Unit	REMARKS
工作電壓 Operating Voltage	V_{DD}		3	3.5	V	
工作電流 Operating Current	I_{OP}		0.1	0.5	mA	No load
推動電流 BZ Driving Current	I_O	1			mA	@ $V_{DS}=1V$
振盪頻率 Oscillator Frequency	F_{OSC}		80	128	KHz	External $\pm 30\%$, $R_{osc}=180K$
工作溫度 Operating Temperature	Temp.	0	25	60		

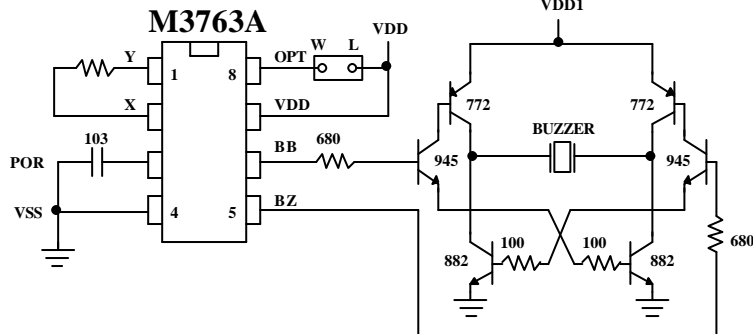
APPLICATION DIAGRAM 參考電路圖



(一)



(二)



* All specs and applications shown above subject to change without prior notice.

(以上電路及規格僅供參考,本公司得逕行修正)




一華半導體股份有限公司
MOSDESIGN SEMICONDUCTOR CORP.

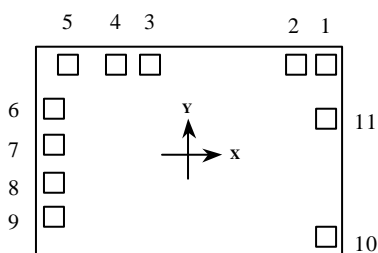
TAIPEI : TEL : 886-2- 22783733
FAX : 886-2- 22783633
H.K. TEL : 852- 27569109
FAX : 852- 27566961

HORN/SIREN
WITH SOFT CHIRP
6 ALARM SOUNDS

警報喇叭專用
附唧聲
6 種警報聲 IC

SIREN	
M3763A	

PAD ASSIGNMENT & POSITION



UNIT : um

No.	NAME	X	Y
1	INI	686.00	438.75
2	OPT1	500.50	438.75
3	VSS	-219.00	438.75
4	BZ1	-385.00	438.75
5	BZ2	-628.50	438.75
6	OPT3	-686.00	229.25
7	VDD	-686.00	42.25
8	OPT2	-686.00	-148.25
9	SOFT	-686.00	-320.75
10	Y	686.00	-440.00
11	X	686.00	189.25

* CHIP SIZE ~ 1.61 x 1.18 mm²

* IC substrate should be connected to VDD in PCB (PCB 上 IC 必須接 VDD)

This datasheet has been downloaded from:

www.DatasheetCatalog.com

Datasheets for electronic components.